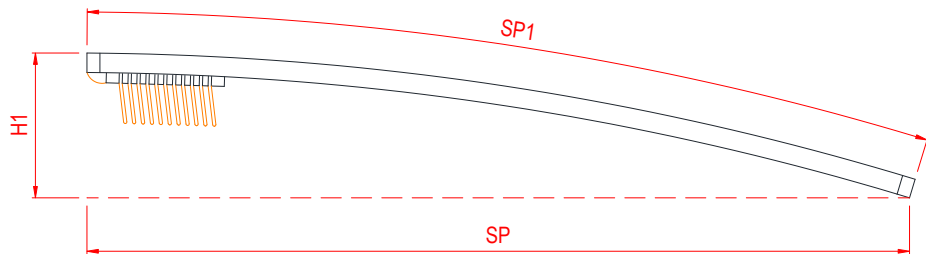


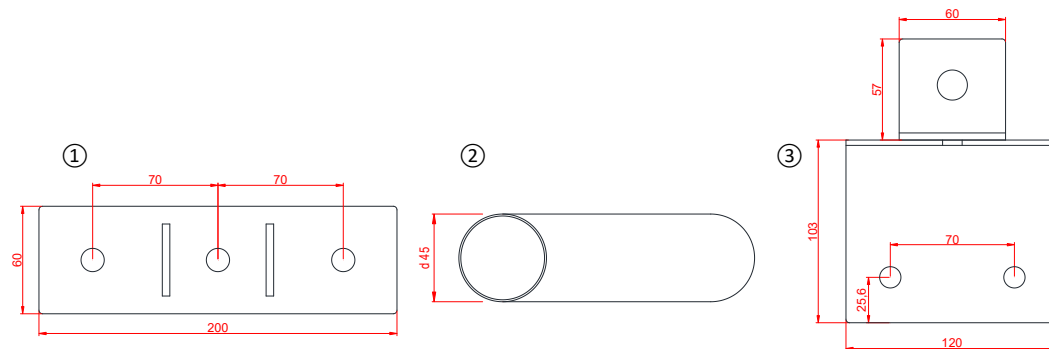
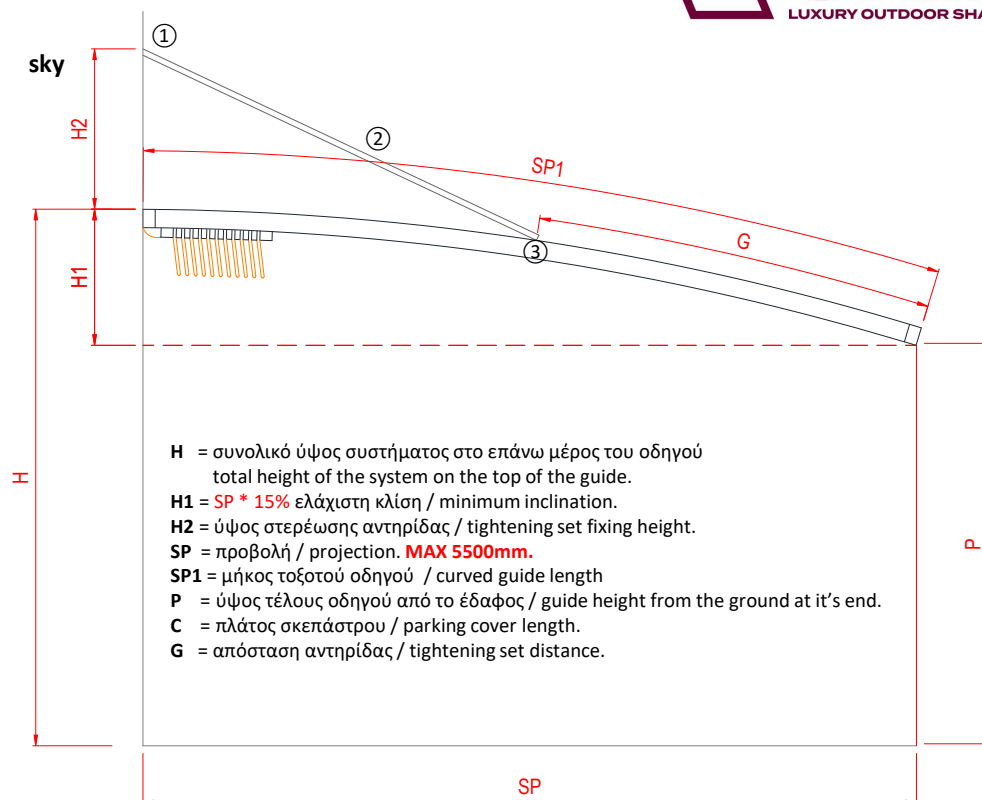
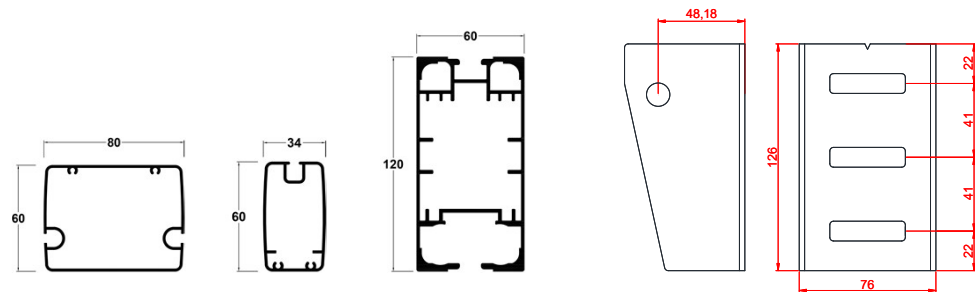
# Arco

Wall / Block



SP1 = μήκος τοξοτού οδηγού / curved guide length.  
 SP = προβολή / projection.  
 H1 =  $SP * 15\%$  ελάχιστη κλίση / minimum inclination.

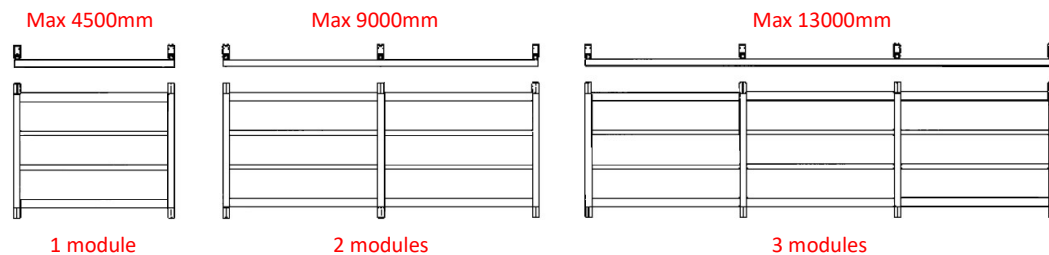
SP (mm)	SP1 (mm)	μεσαίο προφίλ πανιού crosbar profile	ακριανό προφίλ πανιού terminal bar profile	H1 (mm)
2500	2560	4	2	375
3000	3060	5	2	450
3500	3560	6	2	525
4000	4060	7	2	600
4500	4560	8	2	675
5000	5060	9	2	750
5500	5560	10	2	825
6000	6060	11	2	900
6500	6560	12	2	975



# Configurations

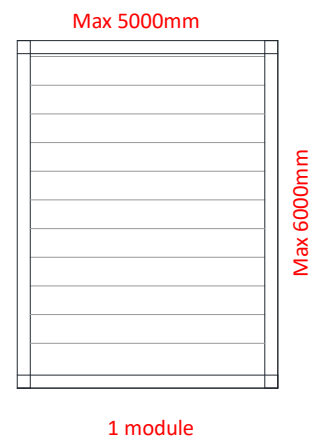


- | MIKRO   | MODUS   | ARCO    | PRIMUS  | MEGA    |
|---------|---------|---------|---------|---------|
| > WALL  | > WALL  | > WALL  | > WALL  | > WALL  |
| > BLOCK | > BLOCK | > BLOCK | > BLOCK | > BLOCK |
| > SKY   | > SKY   | > SKY   | > SKY   | > 150   |
|         |         |         | > 75    |         |
|         |         |         | > 75 C  |         |
|         |         |         | > 150   |         |
|         |         |         | > 150 C |         |



## VECTOR

- > WALL
- > ROOF



## VECTOR

- > PUZZLE

